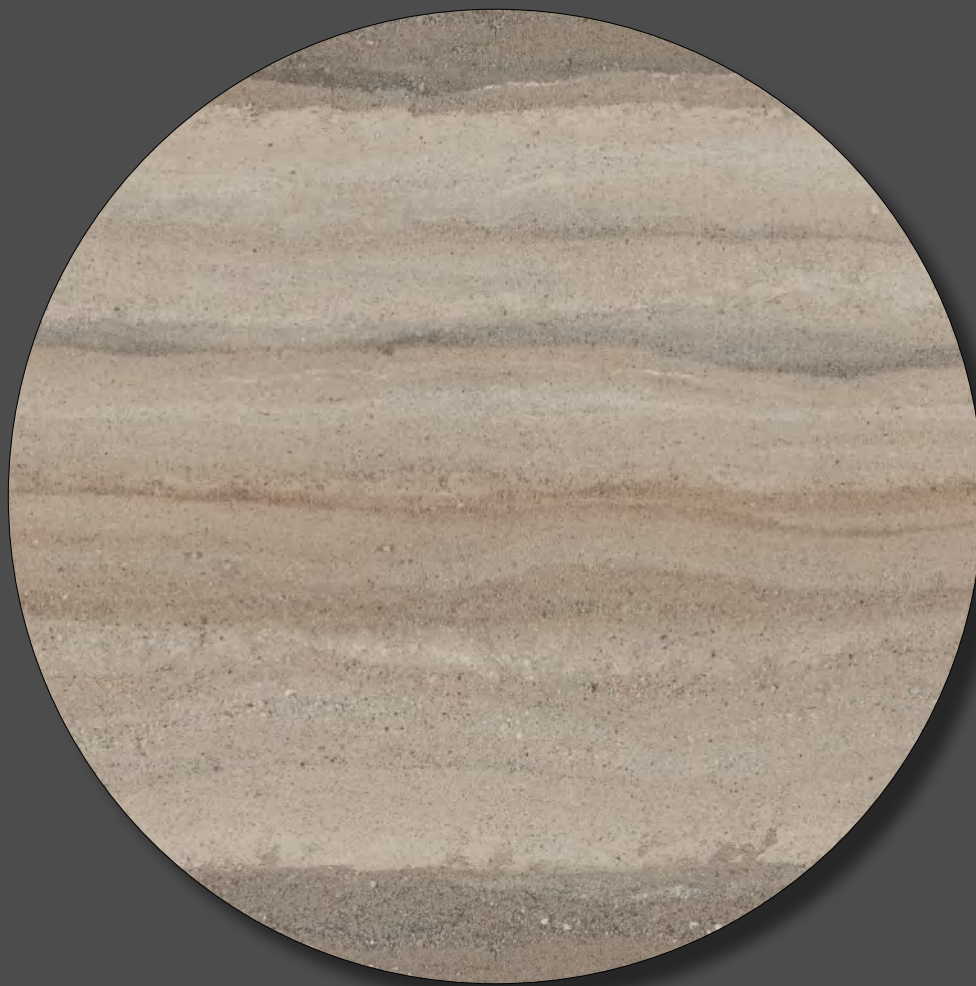
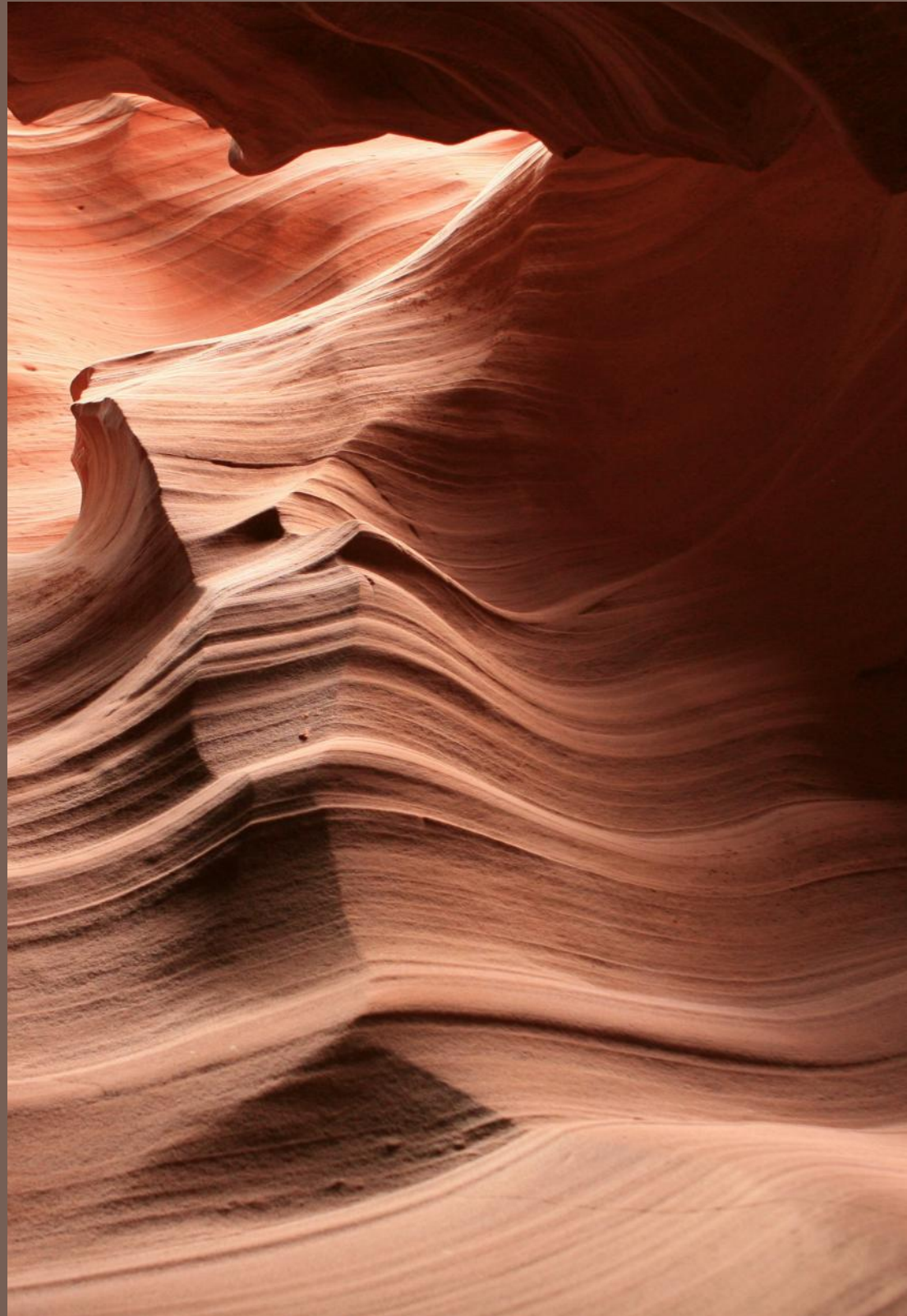


# ARMANI



 CASAGRES



# ARMANI

Where Timeless Elegance Meets Modern Design.

Inspired by the essence of high fashion and contemporary aesthetics, **ARMANI** redefine luxury surfaces with a perfect fusion of sophistication and innovation.

**ARMANI** draw inspiration from global design trends and the iconic minimalism of the Armani brand, offering a sleek, polished finish that complements both residential and commercial spaces.

Neutral tones, bold veining, and subtle metallic accents create a canvas for timeless elegance, effortlessly aligning with avant-garde architecture or classic decor.

Utilizing cutting-edge digital printing technology, every tile replicates the depth and authenticity of natural stone, ensuring no two pieces are identical.

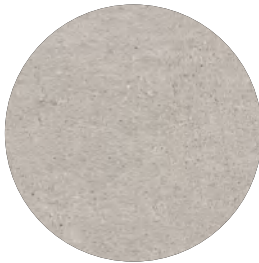
Eco-conscious production processes ensure minimal environmental impact, without compromising on quality or aesthetics. **ARMANI** are not just surfaces—they are a statement of refined taste, designed to transform spaces into enduring works of art.



# ARMANI

| Matt | Lappato |

Armani Series is our brand new spring collection. It comes with 4 elegant colors, including 4 main tiles and 4 matching tiles, totaling 8 styles. The main tiles and matching tiles can be perfectly combined for diverse design solutions.



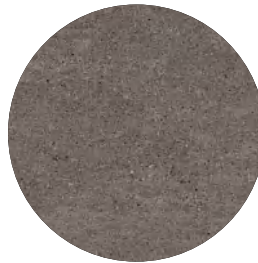
BIANCO



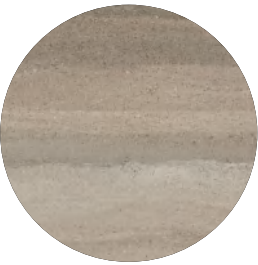
TAUPE



GRIGIO



ASH





• Wall .  
ARMANI VEIN- GRIGIO  
MATT  
60X120cm - 48" x 24"

• Floor .  
LITHOS - BEIGE  
MATT  
60X60cm - 24" x 24"

- Floor .  
ARMANI - BIANCO  
MATT  
60X60cm - 24" x 24"

- Wall .  
ARMANI VEIN - BIANCO  
MATT  
60X120cm - 24" x 48"





• Wall .  
ARMANI VEIN - TAUPE  
MATT  
60X120cm - 24" x 48"



• Floor .  
ARMANI VEIN - GRIGIO  
MATT  
60X60cm - 24" x 24"



• Floor .  
ARMANI VEIN - BIANCO  
MATT  
60X60cm - 24" x 24"



• Floor .  
ARMANI VEIN - ASH  
MATT  
60X60cm - 24" x 24"





• Floor .  
ARMANI - GRIGIO  
MATT  
60X60cm - 24" x 24"

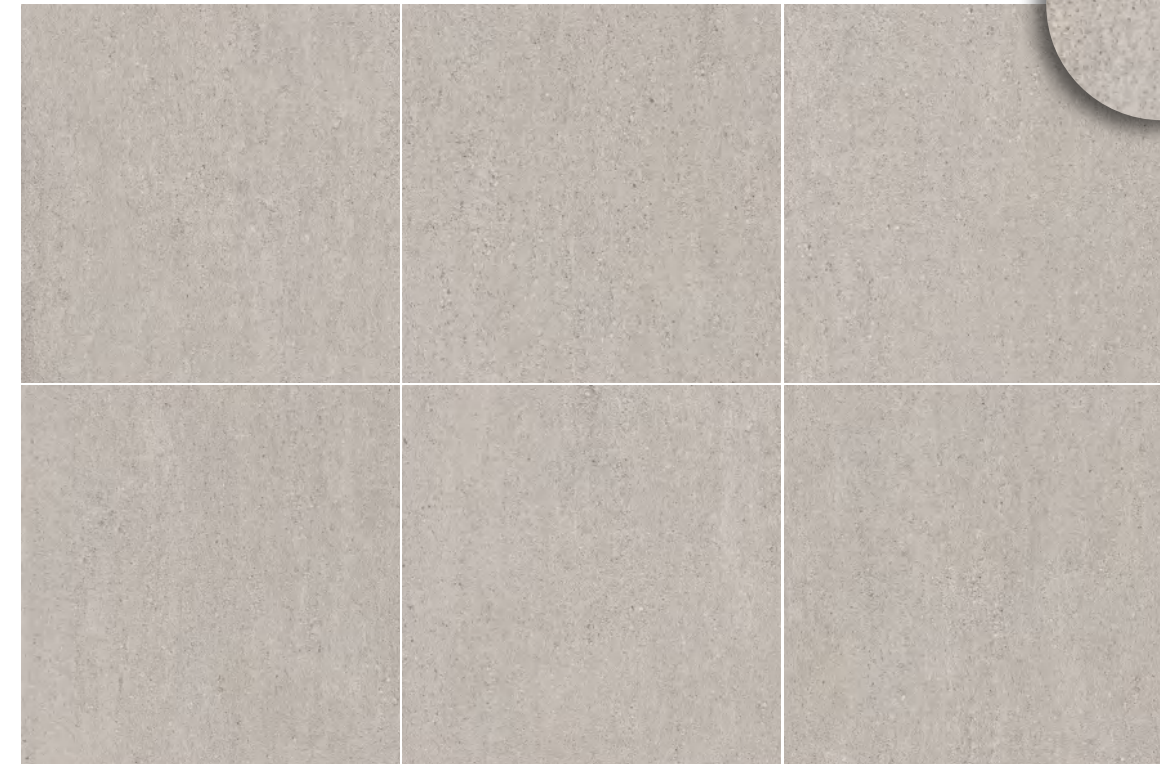


• Floor .  
ARMANI - ASH  
MATT  
120X60cm - 48" x 24"

# ARMANI VEIN BIANCO



# ARMANI BIANCO

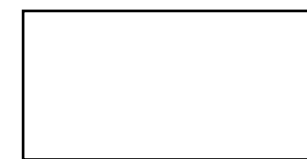


V2

Matt

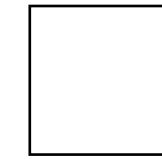
Lappato

10MM

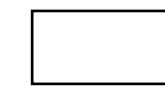


120x60cm / 48" x 24"  
6 faces

9MM



60x60cm / 24" x 24"  
12 faces



60x30cm / 24" x 12"  
24 faces



30x30cm / 12" x 12"  
48 faces

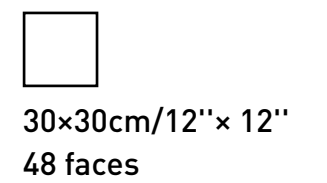
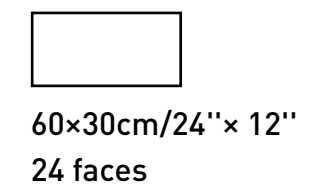
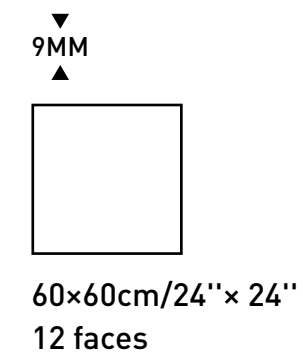
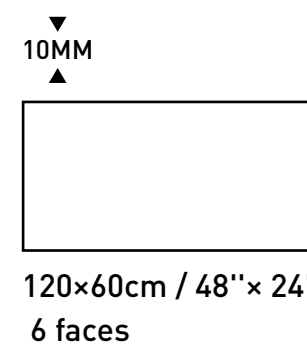
# ARMANI VEIN TUAPE



# ARMANI TAUPE



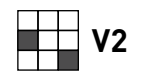
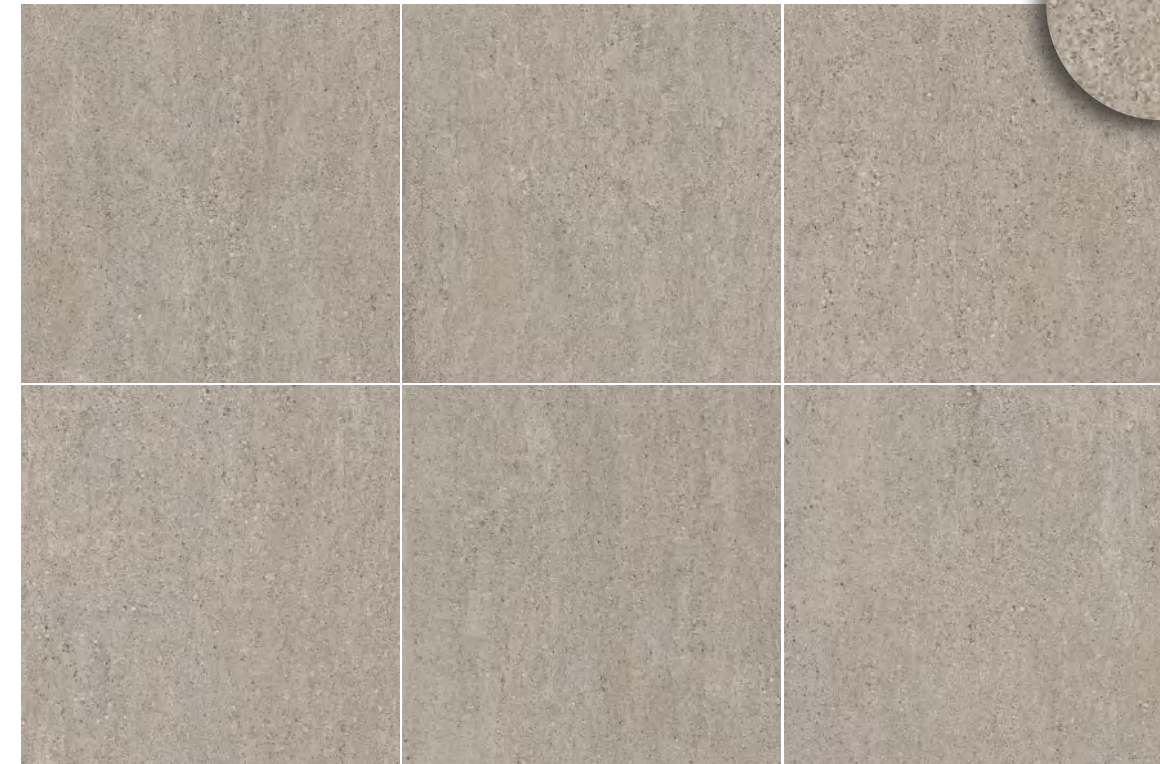
- Matt
- Lappato



# ARMANI VEIN GRIGIO

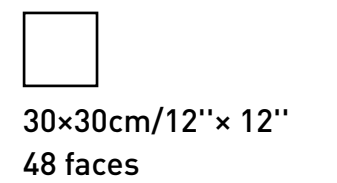
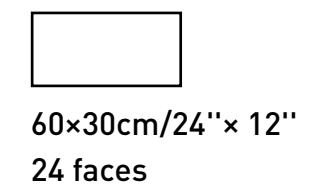
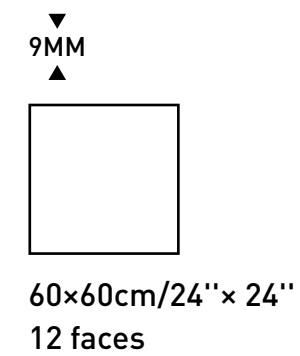
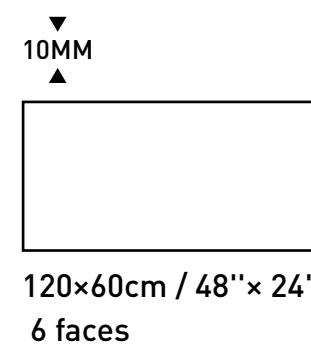


# ARMANI GRIGIO



✓ Matt

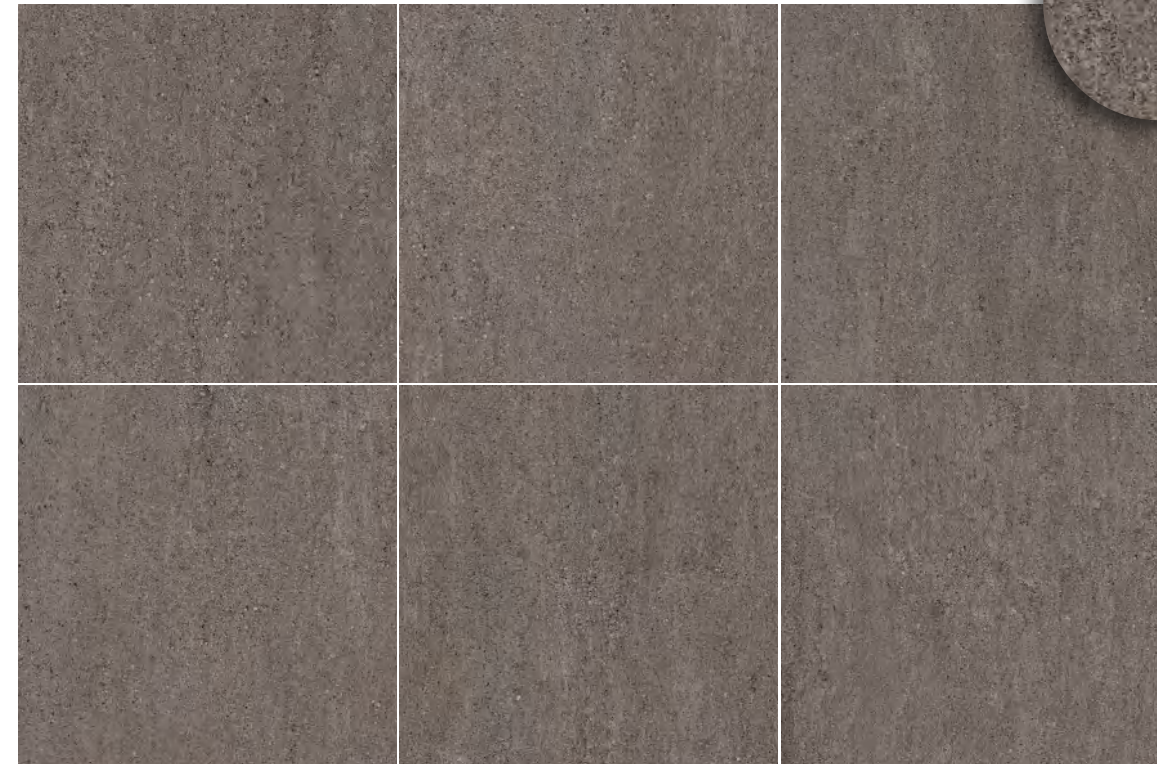
✓ Lappato



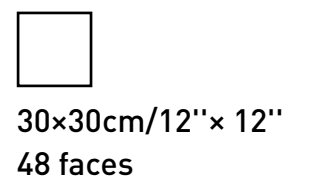
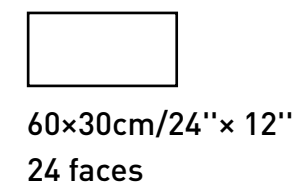
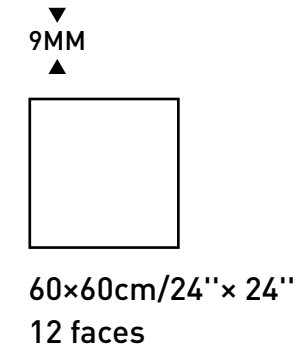
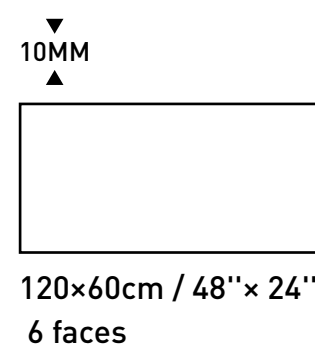
# ARMANI VEIN ASH



# ARMANI ASH



- Matt
- Lappato



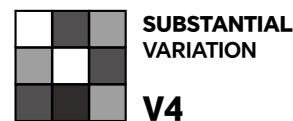
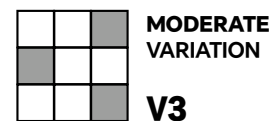
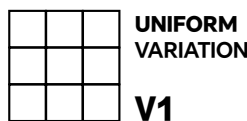
# TECHNICAL SPECIFICATIONS

TECHNICAL CHARACTERISTIC	STANDARD TEST METHOD	ISO STANDARD REQUIREMENT	OUR VALUES
Length & Width	ISO 10545-2	±0.6%Max	±0.3%Max
Thickness	ISO 10545-2	±5.0%Max	±5.0%Max
Sides Straightness	ISO 10545-2	±5.0%Max	±0.25%Max
Rectangularity	ISO 10545-2	±0.5%Max	±0.25%Max
Flatness: a) Centre Curvature b) Edge Curvature c) Warpage	ISO 10545-2 ISO 10545-2 ISO 10545-2	±0.5%Max ±0.5%Max ±0.5%Max	±0.2%Max/Max2.0mm ±0.2%Max/Max2.0mm ±0.2%Max/Max2.0mm
Surface Quality	ISO 10545-2	≥ 95%FREE From visible defect	Comply
Water Absorption	ISO 10545-3	≤ 0.5%	≤ 0.20%
Breaking Strength	ISO 10545-4	≥ 1300N	≥ 1300N
Modulus Of Rupture	ISO 10545-4	≥ 35N/mm <sup>2</sup> Individual ≥ 32N/mm <sup>2</sup>	≥ 35N/mm <sup>2</sup> Individual ≥ 32N/mm <sup>2</sup>
Abrasion Resistance a) Deep Abrasion For Unglazed Tiles b) Surfaces Abrasion For Glazed Tiles	ISO 10545-6 ISO 10545-7	≤ 175mm <sup>3</sup> Manuf.to state abrasion class,cycie and passed	≤ 160mm <sup>3</sup> ≥ PEI 3 ( Dependent On Product Type )
Crazing Test ( glazed Tiles )	ISO 10545-11	No Sign Of Crazing	No Sign Of Crazing
Frost Resistance	ISO 10545-12	Required	No Visible Crack
Chemical Resistance a) low concentrations b) household chemicals and Swimming pool salts	ISO 10545-13 ISO 10545-13	Manuf. to state ≥ class B	Class A Class B(For Polished Tiles) Class A Class B(For Polished Tiles)
Stain Resistance a) for unglazed tiles b) for glazed tiles	ISO 10545-14 ISO 10545-14	Manuf. to state ≥ class 3	≥ Class 3 ≥ Class 3
Slip Resistance ( Excluding Polished, Lappato And Satin Finishing )	AS/NZS 4586 App.A	Manuf. to state	Wet Pendulum ≥ P4 ( Dependent On Product Type )



# PACKING SPECIFICATIONS

SERIES	SIZES	PCS/CTN	m <sup>2</sup> /CTN	KG/CTN	m <sup>2</sup> /PLT	KG/PLT	CTN/PLT
ARMANI	60x120 / 24"x48"	2	1.44	32	97.92	2176	68
	60x60 / 24"x24"	4	1.44	30	57.60	1200	40
	30x60 / 12"x24"	8	1.44	30	57.60	1200	40
	30x30 / 12"x12"	16	1.44	30	57.60	1200	40



Foshan Casagres International Co, Ltd.  
[info@casagresintl.com](mailto:info@casagresintl.com)  
[www.casagresintl.com](http://www.casagresintl.com)